

Zone	1	2
	✓	✓

*I M2 Ex ib d I Mb
II 2G Ex ib d IIB T4 Gb*

Modern high powered professional warning/alarm sander for hazardous areas and explosive atmospheres.

There are two versions available, one specially designed and approved for mines and the other for application in Ex-Zone 1.

- Wide operating input voltage range (12 – 48 V dc)
- Highly vibration resistant
- Suitable for Mines
- Ambient temperature -20 °C to +40 °C
- Ingress Protection IP65
- 28 various tones available
- Selectable sound level
- Stainless Steel



Ex Sounder	DB3-d.2	DB3-d.3
------------	---------	---------

▪ Environment

Protection	DB3-d.2 - I M2 Ex ib d I Mb	
	DB3-d.3 - II 2G Ex ib d IIB T4 Gb	
Certificate	FTZU	
Ingress Protection	IP65	
Ambient Temperature	-20 °C to +40 °C	
Storage Temperature	0 °C to +40 °C	

▪ Power Supply

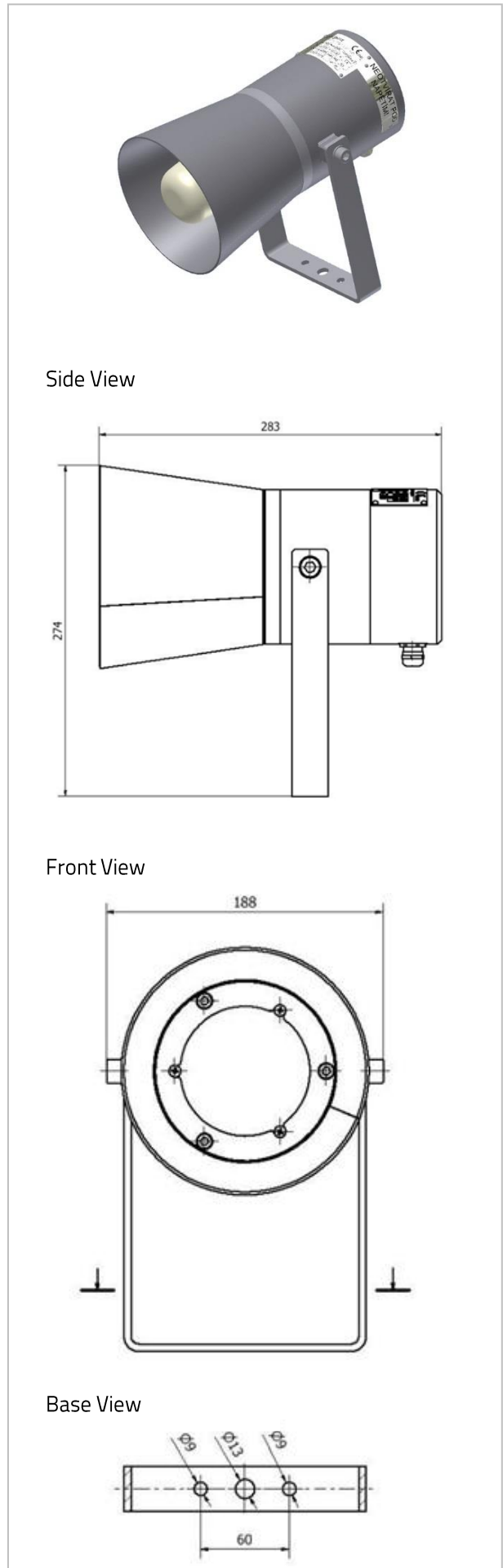
Rated Voltage Range	12 - 48 Vdc	
Maximum Voltage U_m	60 Vdc	
Power Consumption		
12 Vdc	≤ 8 W	≤ 2.9 W
24 Vdc	≤ 9 W	≤ 3.3 W
48 Vdc	≤ 10 W	≤ 3.7 W
Cable Gland	M16x1.5 Exd	
Cable Type	2-core, 0.75 - 1.5 mm ²	
	Ø 4 - 8 mm	
Cable Length	> 3 m	
Grounding	Grounded via fixing bracket	

▪ Physical Parameters

Dimensions	Ø 190 x 285 mm
Weight	9.5 kg
Case	Stainless Steel
Installation	Flat surface
	M8 bolts x2
Mounting Position	Recommended horizontal

▪ Features

Sound Intensity (1m)	0 - 115 dB	0 - 100 dB
Volume Levels	4 pre-defined	
Number of Tones	28 pre-defined	



Elok-Ori reserve the right to make alterations to the technical specification without notice.