



Zone	0	1	2
	✓	✓	✓

I M1 Ex ia I Ma
II 1G Ex ia IIC T4 Ga

A complete and extremely robust camera system for transmission of a video signal from inside Ex-zone "0" to outside the hazardous area. The system can be used to monitor the inside of pipelines, tanks, silos, chemical production, waste and other hazardous process during production, inspection and cleaning. The system can also be used for monitoring and event control.

- Unique – **Ex-zone 0**
- Includes a powerful integrated light
- Various lenses are available
- Maximum distance 120 m
- High ingress protect **IP68**
- Ambient temperature -10°C to +40°C

The system comprises two parts: the Ex-zone "0" camera and the "safe area" control box.

The camera is mounted in a stainless steel enclosure with a glass front and is powered by an intrinsically safe power supply. As standard the unit is equipped with a wide-angle lens and a high intensity LED light.

The control box is located outside the hazardous area. It supplies the camera with intrinsically safe power and controls the light intensity. Video output is PAL and the controller can be equipped with an integral LCD display.



System ESPO

Certificate FTZÚ 12 ATEX 0067

Camera

Protection II 1G Ex ia IIC T4 Ga
 I M1 Ex ia I Ma
 Ingress Protection IP68
 Ambient Temperature -50°C to +60°C
 Electronic Shutter 1/50 – 1/100 000 s
 Sensitivity 0.05 Lux / Faceplate
 Integrated Light 0 - 235 Lux
 Output Connection 6 pin connector
 Enclosure Material Stainless Steel
 Dimensions Ø 82 x 71 mm
 Weight 1 kg
 Fixed Mounting Points 3x M8x7

▪ **Options**

- Wide angle lens f3 - 90° (22 mm equivalent).
- Short tele lens f3 - 30° (80 mm equivalent).
- IP 68 submersion to 1m water depth.
- IP 68 submersion to 25m water depth.

Control Box

Protection II (1)G [Ex ia Ga] IIC
 I (M1) [Ex ia Ma] I
 Ingress Protection IP40
 Ambient Temperature -10°C to +40°C
 Supply Voltage 230 Vac ±10% / 50 Hz
 Power Consumption 10 W
 Video Output PAL (520 lines) BNC
 Dimensions 248 x 192 x 89 mm
 Weight 2.4 kg

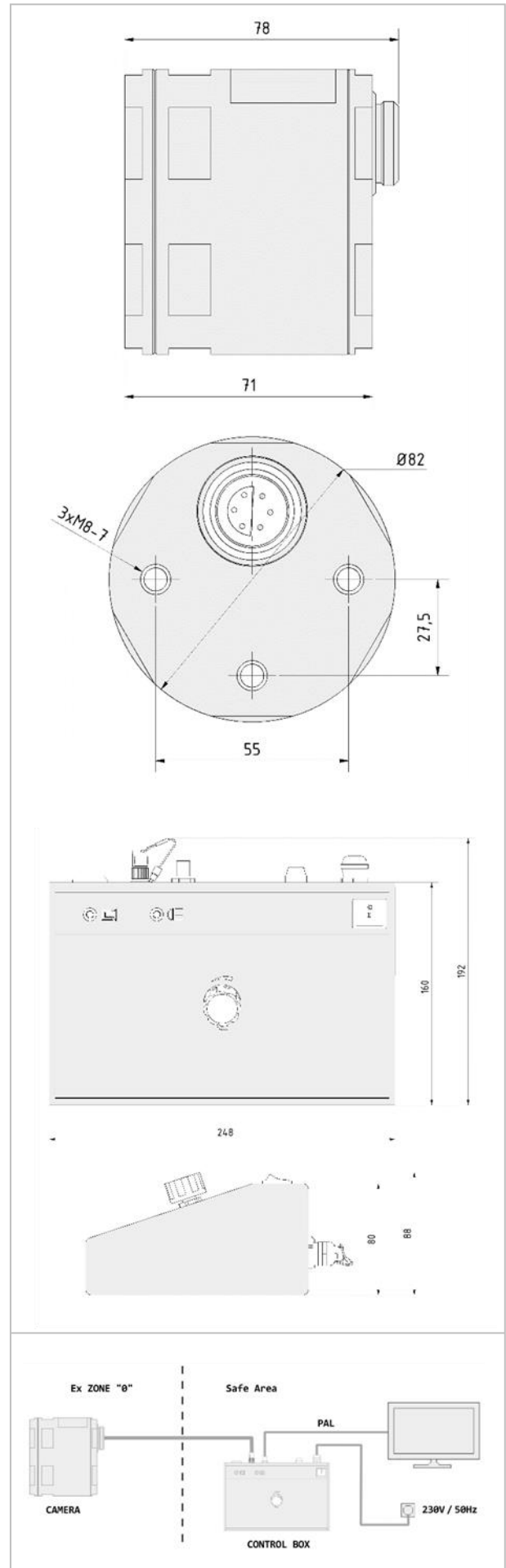
▪ **Options**

- Unit with light control and PAL output.
- Ex unit with built-in LCD display, light control and PAL output.

▪ **Connecting Cable**

Maximum Length 120 m

Note: Cable length needs to be specified during order for option with connector at both ends.



Elok-Ori reserve the right to make alterations to the technical specification without notice.