



Zone	1	2
	✓	✓

II 2G Ex d ib [ib] IIB T4 Gb  
II 2D Ex ib [ib] tb IIIC T130 °C Db

Continuously monitored electrostatic grounding to ensure safe loading and unloading of flammable liquids and powders from:

- Road trucks
- Rail wagons
- Containers
- Drums
- Bags

Single and two channel versions are available allowing concurrent grounding of two similar or two various objects in vapour and dust environments.

- Continuous monitoring of grounding quality
- Indication of false ground
- Simple to install and use
- Isolated clamp holder
- Robust construction
- Infra-red IrDA communication available
- Wide ambient temperature range -55 °C to +60 °C

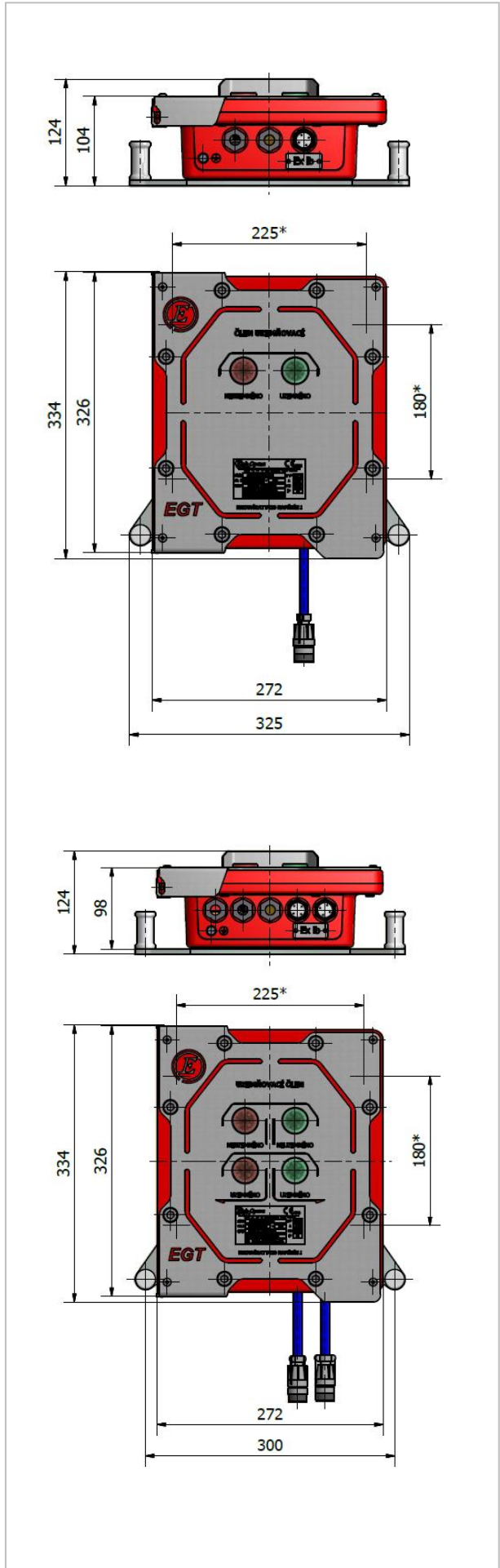


Electrostatic Grounding Unit	EGT 4	EGT 6
------------------------------	-------	-------

▪ Grounding Channels	1	2
▪ Environment		
Protection .....	II 2G Ex d ib [ib] IIB T4 Gb II 2D Ex ib [ib] tb IIIC T130°C Db	
Certificate .....	FTZÚ 09 ATEX 0059X	
Ingress protection .....	IP65	
Ambient Temperature .....	-50 °C to +60 °C	
▪ Power Supply		
Rated Voltage Range .....	20 - 253 Vdc / Vac	
Power Consumption .....	10 W	
Cable Glands .....	M20x1.5	
Cable Type .....	Ø 6.1 to 11.7 mm	
▪ Physical Parameters		
Dimensions .....	325 x 334 x 124 mm	
Weight .....	10.2 kg	10.9 kg
▪ Output		
Indication .....	Green and Red LED lights	
Relay .....	2 per channel voltage free contacts COM, NO and NC	
Minimum load .....	10 Vdc / 0.1 A	
Maximum load DC .....	230 Vdc / 0.25 A 40 Vdc / 3 A	
Maximum load AC .....	230 Vac / 3 A	
Cable Glands .....	M20x1.5	
Cable Type .....	Ø 6.1 to 11.7 mm	
<u>IS Parameters</u>		
Maximum voltage .....	UM	50 Vdc
Maximum current .....	Ii	0.2 A

**Accessories**

- Straight cable with clamp ..... - 50 °C to + 60 °C
- Arctic cable with clamp ..... - 55 °C to + 60 °C
- Spiral cable with clamp ..... - 30 °C to + 60 °C
- Cable Length ..... 10 m (standard)  
up to 120 m on request
- Self-retracting reel ..... 15 m cable with clamp  
- 20 °C to + 60 °C
- Clamps made from stainless steel with copper points.
- Local Language versions of front plate available.



Elok-Ori reserve the right to make alterations to the technical specification without notice.